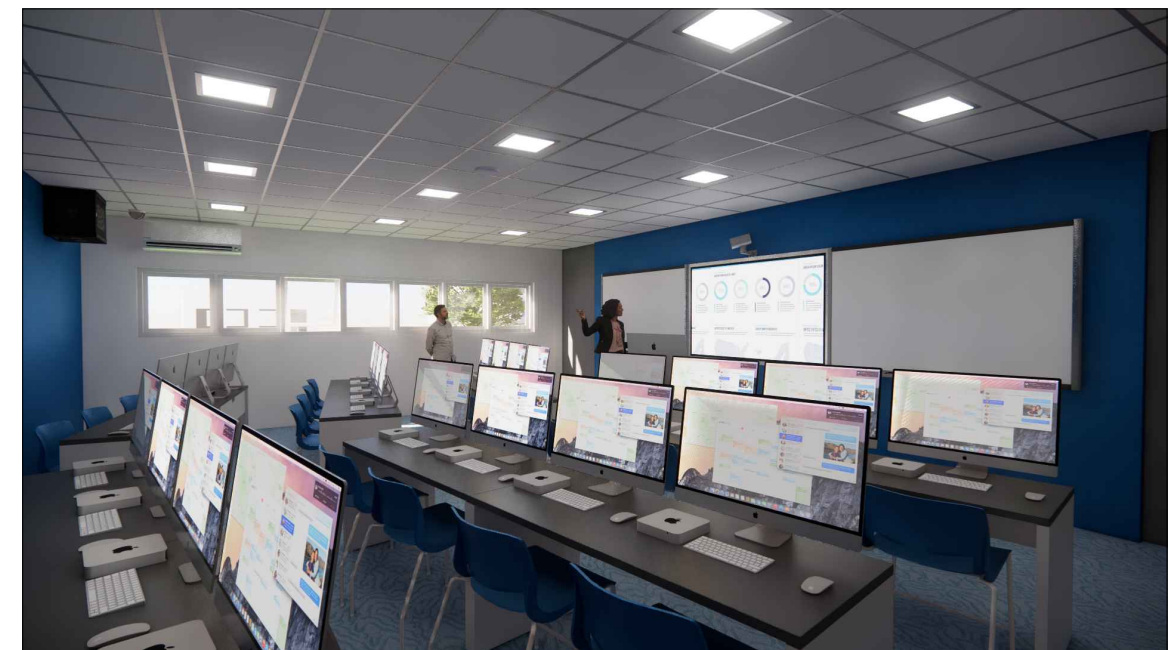



**FLOOR PLAN**  
 A-01 SCALE 1 : 20 M.

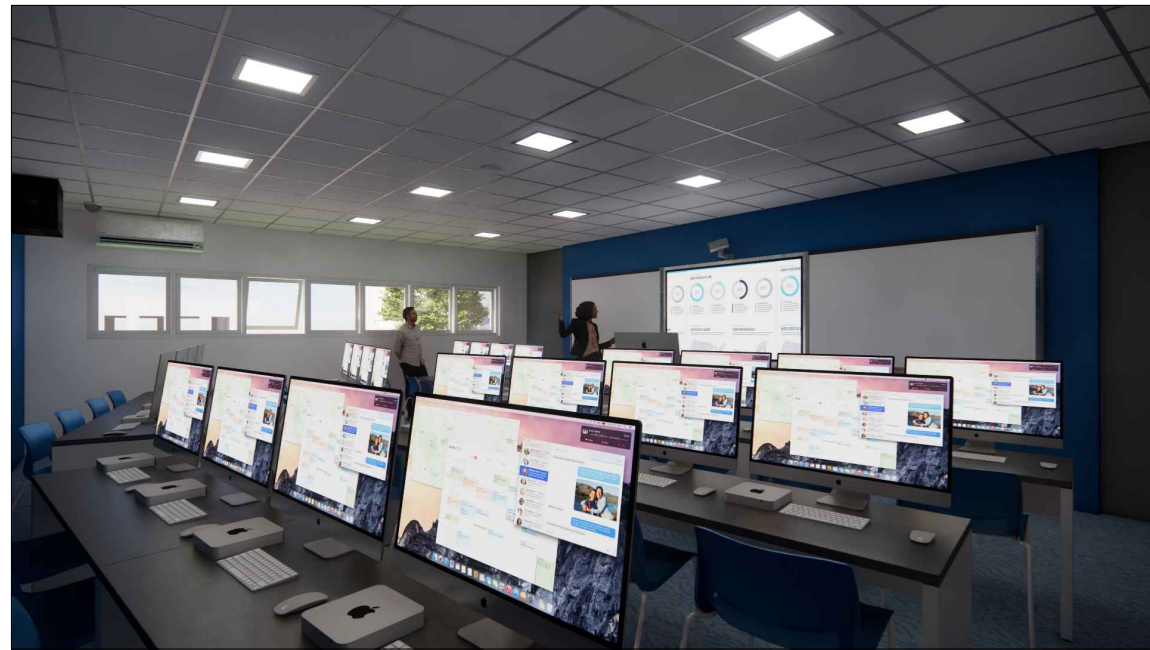


PERSPECTIVE "A"

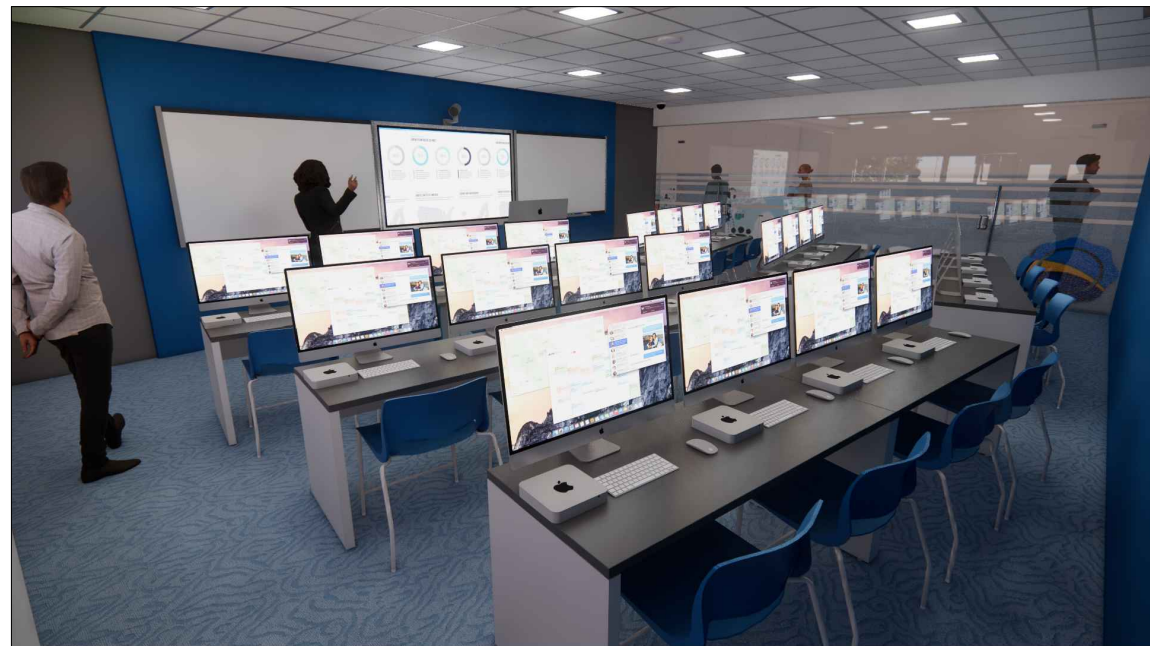


PERSPECTIVE "B"

 <p><b>SOUTHERN LEYTE STATE UNIVERSITY</b></p> <p>MAIN CAMPUS        San Roque, Tagud, Southern Leyte        Contact No. 0998-868-5234        Email: <a href="mailto:gradstudent@southernleytestateuniversity.edu.ph">gradstudent@southernleytestateuniversity.edu.ph</a>        Website: <a href="http://www.southernleytestateuniversity.edu.ph">www.southernleytestateuniversity.edu.ph</a></p> <p><small>Resilience   Service   Leadership and Good Governance   Innovation   Social Responsibility   Integrity   Professionalism   Spirituality</small></p>	PREPARED BY : EDICARDO C. PONTOD, QUT DRAFTSMAN MARJORIE G. ELEKORDE, QUT DRAFTSMAN HAZEL G. OBORDO, QUT DRAFTSMAN MARK A. UYPALA, QUT DRAFTSMAN BYRON A. ENGASTON, QUT DRAFTSMAN	REVIEWED BY : ENGR. RYAN A. MACUTO, GREEN ADP+AA, LUDIP Head Designate AR. JEAMES PAUL EVANGELISTA, UAP ARCHITECT I	PROJECT : <b>RENOVATION AND RECONFIGURATION OF COMPUTER LABORATORY ROOM IN CCSIT BUILDING WITH PROVISIONS FOR SMART CLASSROOM</b>	OWNER : <b>SOUTHERN LEYTE STATE UNIVERSITY</b>	APPROVED AS PER PLAN : JUDE A. DUARTE, DPA UNIVERSITY PRESIDENT	SHEET CONTENT <b>AS SHOWN</b>	SHEET NO. <b>A-01</b>	
	LOCATION: SLSU-MAIN CAMPUS, SAN ROQUE, SOGOD SOUTHERN LEYTE			ADDRESS: SOGOD, SOUTHERN LEYTE	CHECKED : APPROVED :	DRAWN : DATE :	SCALE AS SHOWN @ 20x30	PROJ. NO.
	<p><small>Resilience   Service   Leadership and Good Governance   Innovation   Social Responsibility   Integrity   Professionalism   Spirituality</small></p>							




PERSPECTIVE "C"

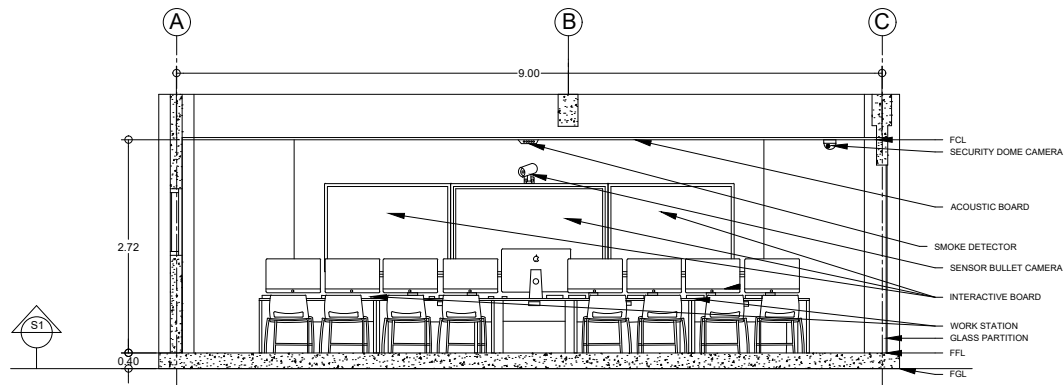


PERSPECTIVE "D"

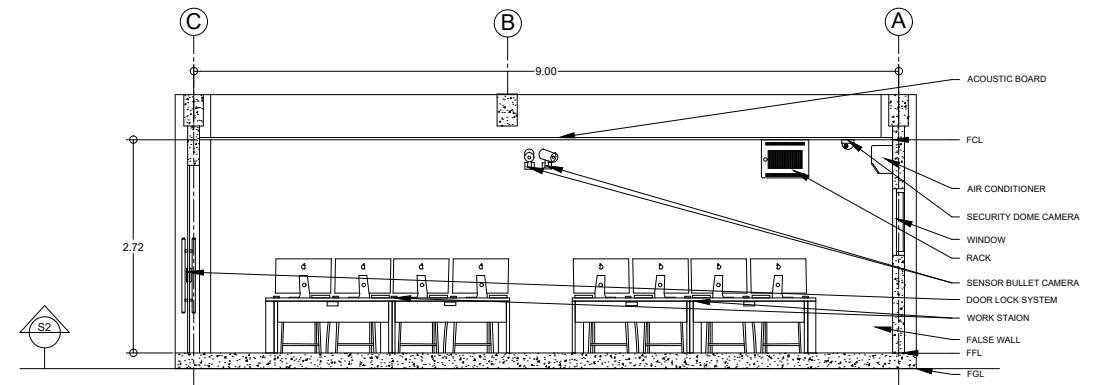


PERSPECTIVE "E"

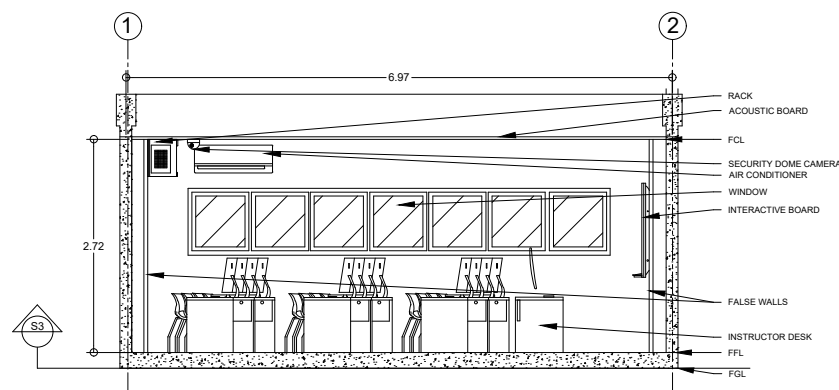
 <p><b>SOUTHERN LEYTE STATE UNIVERSITY</b></p> <p>MAIN CAMPUS San Roque, Tagud, Southern Leyte Contact No. 0998-868-5234 Email: <a href="mailto:president@southernleytestate.edu.ph">president@southernleytestate.edu.ph</a> Website: <a href="http://www.southernleytestate.edu.ph">www.southernleytestate.edu.ph</a></p> <p><b>STARS</b> RATING SYSTEM</p> <p>SECUREC</p> <p><small>Resilience   Service   Leadership and Good Governance   Innovation   Social Responsibility   Integrity   Professionalism   Spirituality</small></p>	<p>PREPARED BY :</p> <p>EDICARDO C. PONTOD DIT DRAFTSMAN</p> <p>MARJORIE G. ELEKORDE DIT DRAFTSMAN</p> <p>HAZEL G. OBORDO DIT DRAFTSMAN</p> <p>MARK A. UYPALA DIT DRAFTSMAN</p> <p>BYRON A. ENGASTON DIT DRAFTSMAN</p>	<p>REVIEWED BY :</p> <p>ENGR. RYAN A. MACUTO, GREEN ADP+AA LUDIP Head Designate</p> <p>AR. JEAMES PAUL EVANGELISTA, UAP ARCHITECT I</p>	<p>PROJECT :</p> <p><b>RENOVATION AND RECONFIGURATION OF COMPUTER LABORATORY ROOM IN CCSIT BUILDING WITH PROVISIONS FOR SMART CLASSROOM</b></p> <p>LOCATION: SLSU-MAIN CAMPUS, SAN ROQUE, SOGOD SOUTHERN LEYTE</p>	<p>OWNER :</p> <p><b>SOUTHERN LEYTE STATE UNIVERSITY</b></p> <p>ADDRESS: SOGOD, SOUTHERN LEYTE</p>	<p>APPROVED AS PER PLAN :</p> <p>JUDE A. DUARTE, DPA UNIVERSITY PRESIDENT</p>	<p>SHEET CONTENT</p> <p>AS SHOWN</p> <p>CHECKED : _____ DRAWN : _____ APPROVED : _____ DATE : _____</p> <p>SCALE AS SHOWN @ 20x30</p>	<p>SHEET NO.</p> <p>A-02</p> <p>PROJ. NO.</p>
--	--	---	--	--	---	---	---



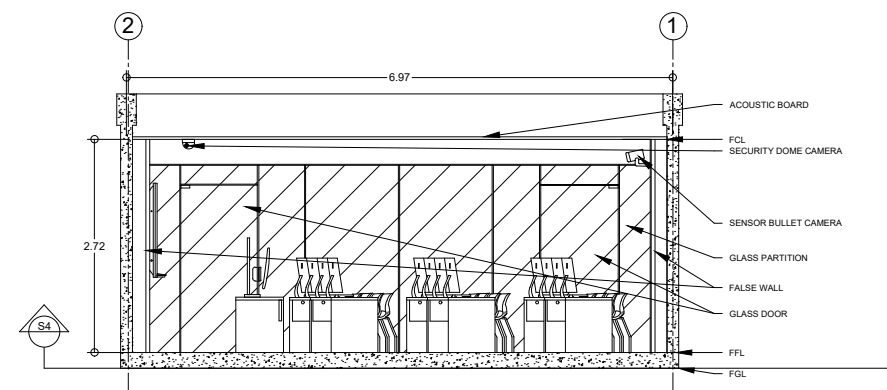
**SECTION 1**  
SCALE 1 : 20 M.




**SECTION 2**  
SCALE 1 : 20 M.

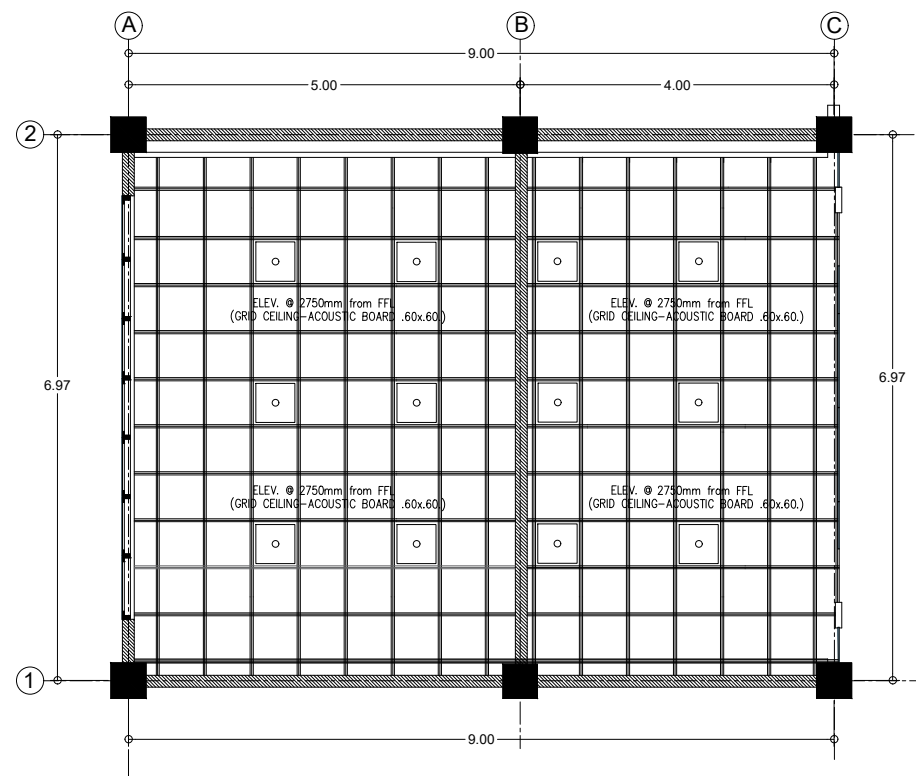


**SECTION 3**  
SCALE 1 : 20 M.

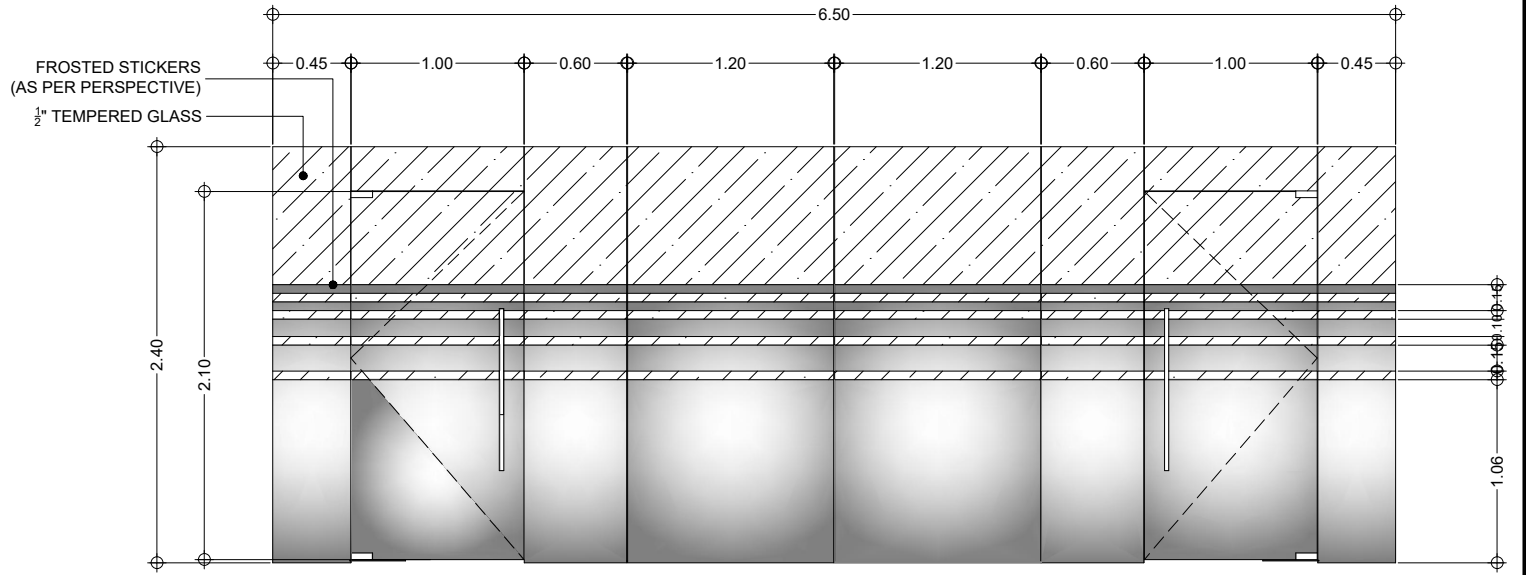


**SECTION 4**  
SCALE 1 : 20 M.

 <p><b>SOUTHERN LEYTE STATE UNIVERSITY</b></p> <p>MAIN CAMPUS San Roque, Tagud, Southern Leyte Contact No. 0998-868-5234 Email: <a href="mailto:grads@slsu.edu.ph">grads@slsu.edu.ph</a> Website: <a href="http://www.slsu.edu.ph">www.slsu.edu.ph</a></p> <p><b>STARS</b> RATING SYSTEM</p> <p>SECOPAC</p> <p><small>Resilience   Service   Leadership and Good Governance   Innovation   Social Responsibility   Integrity   Professionalism   Spirituality</small></p>	<p>PREPARED BY :</p> <p>EDICARDO C. PONTOD DIT DRAFTSMAN</p> <p>MARJORIE G. ELEKORDE DIT DRAFTSMAN</p> <p>HAZEL G. OBORDO DIT DRAFTSMAN</p> <p>MARK A. UYPALA DIT DRAFTSMAN</p> <p>BYRON A. ENGASTON DIT DRAFTSMAN</p>	<p>REVIEWED BY :</p> <p>ENGR. RYAN A. MACUTO, GREEN ADP+AA LUDIP Head Designate</p> <p>AR. JEAMES PAUL EVANGELISTA, UAP ARCHITECT I</p>	<p>PROJECT :</p> <p><b>RENOVATION AND RECONFIGURATION OF COMPUTER LABORATORY ROOM IN CCSIT BUILDING WITH PROVISIONS FOR SMART CLASSROOM</b></p> <p>LOCATION: SLSU-MAIN CAMPUS, SAN ROQUE, SOGOD SOUTHERN LEYTE</p>	<p>OWNER :</p> <p><b>SOUTHERN LEYTE STATE UNIVERSITY</b></p> <p>ADDRESS: SOGOD, SOUTHERN LEYTE</p>	<p>APPROVED AS PER PLAN :</p> <p>JUDE A. DUARTE, DPA UNIVERSITY PRESIDENT</p>	<p>SHEET CONTENT</p> <p>AS SHOWN</p> <p>CHECKED : _____ APPROVED : _____</p> <p>DRAWN : _____ DATE : _____</p> <p>SCALE AS SHOWN @ 20x30</p>	<p>SHEET NO.</p> <p>A-03</p> <p>PROJ. NO.</p>
--	--	---	--	--	---	--	---



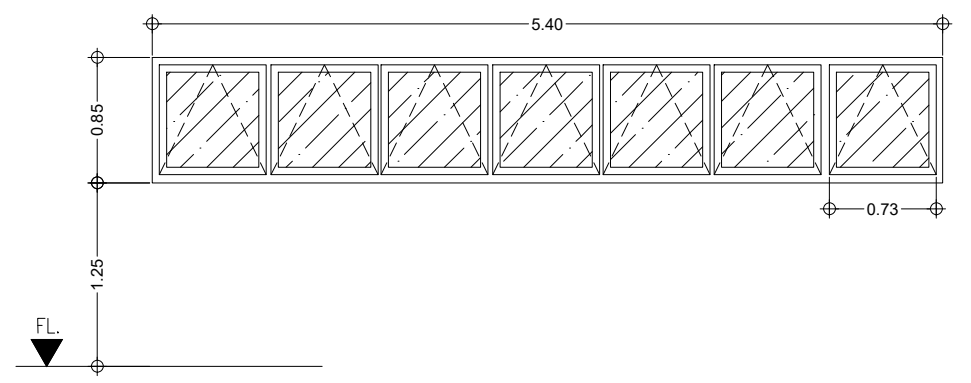
**REFLECTED CEILING PLAN**  
 SCALE 1 : 20 M.



**LEGENDS**

○ 0.60m x 0.60m 36 Watts FLUSH MOUNTED LED PANEL LIGHT (DAYLIGHT)

MARK:	Ⓟ
LOCATION:	COMPUTER LAB ENTRANCE
QUANTITY:	1 SET
SPECIFICATION:	FRAMELESS SINGLE SWING GLASS DOOR WITH FIXED GLASS USING 1/2" TEMPERED GLASS



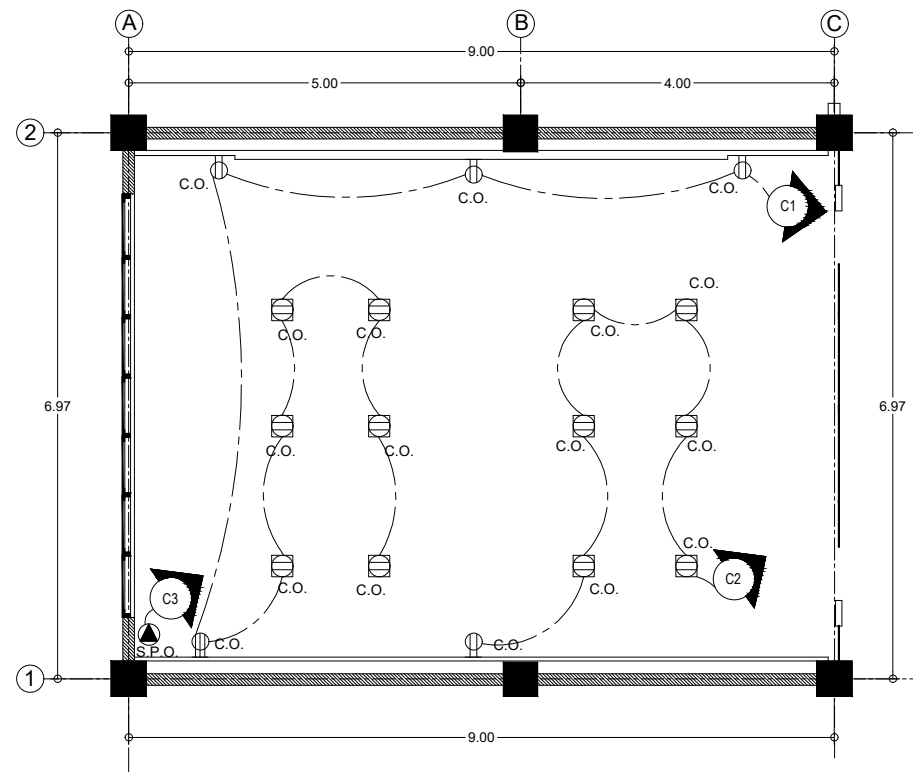
MARK:	Ⓢ
LOCATION:	COMPUTER LAB
QUANTITY:	1 SET
SPECIFICATION:	DOUBLE GLAZED AWNING WINDOW USING 1/2" THICK TINTED GLASS (LIGHT GRAY)

**SCHEDULE OF DOORS AND WINDOWS**  
 SCALE NTS.

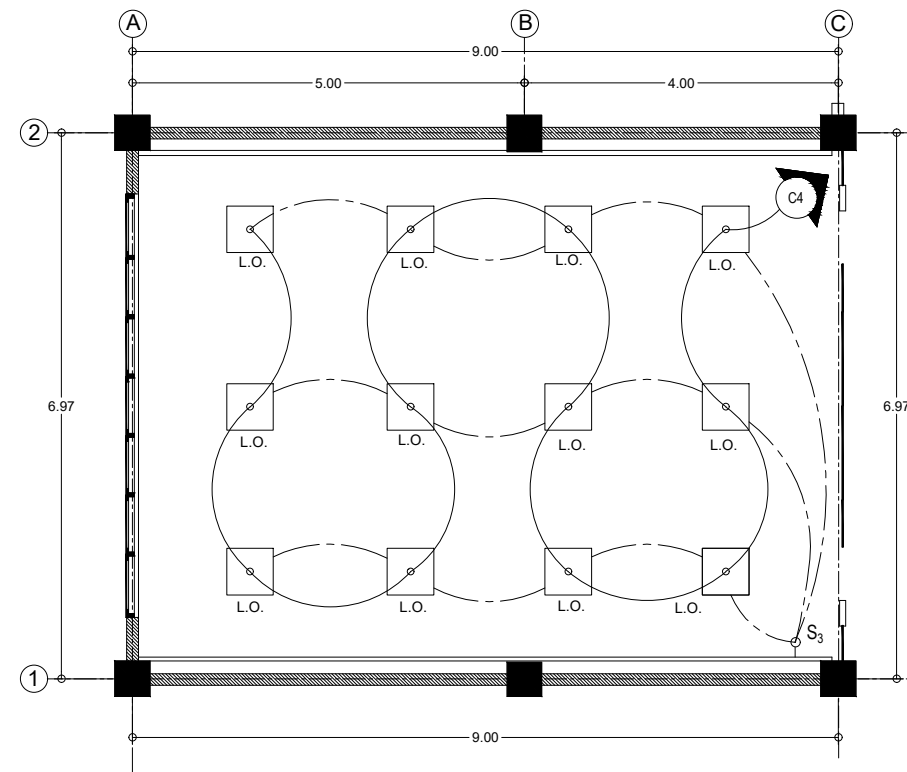
<p><b>SOUTHERN LEYTE STATE UNIVERSITY</b></p> <p>MAIN CAMPUS        San Roque, Tagud, Southern Leyte        Contact No. 0998-868-5234        Email: <a href="mailto:grads@slsu.edu.ph">grads@slsu.edu.ph</a>        Website: <a href="http://www.slsu.edu.ph">www.slsu.edu.ph</a></p> <p>SECOPAC        STAR'S RATING SYSTEM</p>	PREPARED BY : EDICARDO C. PONTOD, GUT DRAFTSMAN MARJORIE G. ELEKORDE, GUT DRAFTSMAN HAZEL G. OBORDO, GUT DRAFTSMAN MARK A. UYPALA, GUT DRAFTSMAN BYRON A. ENGASTON, GUT DRAFTSMAN	REVIEWED BY : ENGR. RYAN A. MACUTO, GREEN ADP+AA, LUDIP Head Designate AR. JEAMES PAUL EVANGELISTA, UAP ARCHITECT I	PROJECT : <b>RENOVATION AND RECONFIGURATION OF COMPUTER LABORATORY ROOM IN CCSIT BUILDING WITH PROVISIONS FOR SMART CLASSROOM</b>	OWNER : <b>SOUTHERN LEYTE STATE UNIVERSITY</b>	APPROVED AS PER PLAN : JUDE A. DUARTE, DPA, UNIVERSITY PRESIDENT	SHEET CONTENT AS SHOWN	SHEET NO. A-04
	LOCATION: SLSU-MAIN CAMPUS, SAN ROQUE, SOGOD SOUTHERN LEYTE	ADDRESS: SOGOD, SOUTHERN LEYTE	CHECKED : APPROVED :	DRAWN : DATE :	SCALE AS SHOWN @ 20x30	PROJ. NO.	

### LEGENDS


-  0.60m x 0.60m 36 Watts  
FLUSH MOUNTED LED PANEL LIGHT  
(DAYLIGHT)
-  FLOOR MOUNTED 3 GANG OUTLET
-  2 GANG CONVENIENCE OUTLET
-  SPECIAL PURPOSE OUTLET
-  S<sub>3</sub> 3 GANG SWITCH
-  GROUND



**A**  
**E-01** **POWER LAYOUT PLAN**  
SCALE 1 : 20 M.



**B**  
**E-01** **LIGHTING LAYOUT PLAN**  
SCALE 1 : 20 M.

 <b>SOUTHERN LEYTE STATE UNIVERSITY</b> <small>MAIN CAMPUS San Roque, Tagud, Southern Leyte Contact No. 0998-868-5234 Email: <a href="mailto:gradident@southernleyte.edu.ph">gradident@southernleyte.edu.ph</a> Website: <a href="http://www.southernleyte.edu.ph">www.southernleyte.edu.ph</a></small>	PREPARED BY :	REVIEWED BY :	PROJECT :	OWNER :	APPROVED AS PER PLAN :	SHEET CONTENT	SHEET NO.	
	EDICARDO C. PONTOD <small>GUT DRAFTSMAN</small>	MARJORIE G. ELEKORDE <small>GUT DRAFTSMAN</small>	ENGR. RYAN A. MACUTO, GREEN ADP+AA <small>LUDIP Head Designate</small>	<b>RENOVATION AND RECONFIGURATION OF COMPUTER LABORATORY ROOM IN CCSIT BUILDING WITH PROVISIONS FOR SMART CLASSROOM</b>	<b>SOUTHERN LEYTE STATE UNIVERSITY</b>	JUDE A. DUARTE, DPA <small>UNIVERSITY PRESIDENT</small>	AS SHOWN	E-01
	MARK A. UYPALA <small>GUT DRAFTSMAN</small>	BYRON A. ENGASTON <small>GUT DRAFTSMAN</small>	AR. JEAMES PAUL EVANGELISTA, UAP <small>ARCHITECT I</small>	LOCATION: SLSU-MAIN CAMPUS, SAN ROQUE, SOGOD SOUTHERN LEYTE	ADDRESS: SOGOD, SOUTHERN LEYTE		CHECKED : APPROVED :	PROJ. NO.
						SCALE AS SHOWN @ 20x30		

# SCHEDULE OF LOADS (DP)

CKT. NO.	DESCRIPTION	POWER(WATTS)	VOLTS	ØAB	ØBC	ØCA	OCPD	CONDUCTOR	CONDUIT
1	C.O.(10)	2000	220	9.09A			20 AT, 50 AF, 2P	2-5.5mm.sq. THHN +2.0mm.sq.TW(G)	20mm dia. PVC
2	C.O.(7)	1400	220		6.36A		20 AT, 50 AF, 2P	2-5.5mm.sq. THHN +2.0mm.sq.TW(G)	20mm dia. PVC
3	S.P.O	2000	220			9.09A	20 AT, 50 AF, 2P	2-5.5mm.sq. THHN +2.0mm.sq.TW(G)	20mm dia. PVC
4	L.O (12)	1200	220	5.45A			15 AT, 50 AF, 2P	2-3.5mm.sq. THHN	13mm dia. PVC
5	CCTV (5)	500	220		2.27A		15 AT, 50 AF, 2P	2-3.5mm.sq. THHN	13mm dia. PVC
6	SPARE		220						
7	SPARE		220						
<b>TOTAL</b>				<b>14.54A</b>	<b>8.63A</b>	<b>9.09A</b>			

DEMAND FACTOR 75% AND GROWTH FACTOR 100%

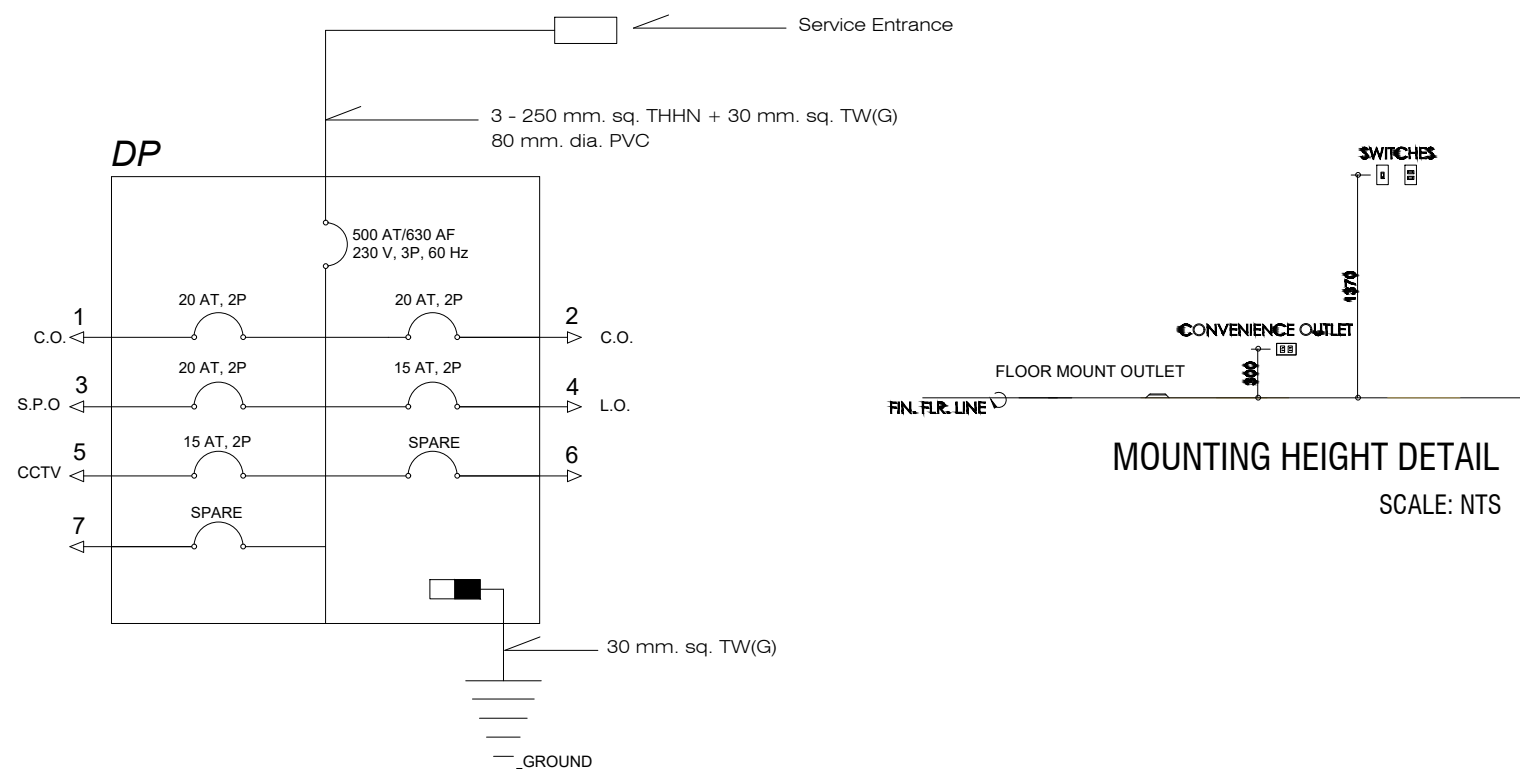
Line Current = 1.732 x 14.54  
Line Current = 25.18 A

MAIN PROTECTION	600 AT, 630 AF, 3P, 60Hz, 85 KAIC,MCCB
INCOMING FEEDER	3-200mm.sq. THHN +30mm.sq.TW(G)
CONDUIT	80mm dia. RSC

## (DP) SCHEDULE OF LOADS

## GENERAL NOTES

- ALL ELECTRICAL WORKS SHALL COMPLY IN ACCORDANCE WITH THESE PLANS AND SPECIFICATIONS. THE APPLICABLE PROVISIONS OF THE LATEST EDITION OF THE PHILIPPINE ELECTRICAL CODE (PEC). THE RULES AND REGULATION OF THE LOCAL ENFORCING AUTHORITY AND THE REQUIREMENTS OF THE LOCAL POWER COMPANY. ALL ELECTRICAL WORKS SHALL BE UNDER THE IMMEDIATE SUPERVISION OF A DULY REGISTERED ELECTRICAL ENGINEER.
- THE ELECTRICAL SERVICE POWER IS 1-PHASE, 2-WIRE, 220 V AC, 60Hz.
- WIRING METHOD SHALL BE AS FOLLOWS:
  - FEEDERS AND RISERS - RIGID METALLIC CONDUIT
  - LIGHTING, POWER RECEPTACLE BRANCH CKT., & AUXILIARY - POLYVINYL CHLORIDE CONDUIT SCH. 40
- ALL WIRES SHALL BE COPPER AND THERMOPLASTIC INSULATED TYPE "THW" UNLESS OTHERWISE INDICATED IN THE PLAN. THE MINIMUM SIZE OF WIRE FOR POWER AND LIGHTING CIRCUIT HOMERUN SHALL BE 3.5mm<sup>2</sup> AND INSULATED FOR 600 VOLTS. SMALLEST RACEWAY SHALL BE 15mmØ TRADE/NOMINAL SIZE
- ALL OUTLET BOXES SHALL BE GALVANIZED GAUGE NO.16 DEEP TYPE WITH FACTORY KNOCKOUTS.
- ALL MATERIALS TO BE USED SHALL BE BRAND NEW AND APPROVED TYPE FOR THE PARTICULAR LOCATION AND PURPOSE.
- GROUNDING SYSTEM SHALL BE PROVIDED TO ALL LIGHTING AND POWER CIRCUIT AS PER PHILIPPINE ELECTRICAL CODE REQUIREMENTS.
- MOUNTING HEIGHT OF WIRING DEVICES SHALL BE AS FOLLOWS:
  - LIGHT SWITCH - 1.20 M ABOVE FINISH FLOOR
  - CONVENIENCE OUTLET - 0.30 M ABOVE FINISH FLOOR
  - SAFETY SWITCH - 1.80 M ABOVE FINISH FLOOR



<p><b>SOUTHERN LEYTE STATE UNIVERSITY</b></p> <p>MAIN CAMPUS San Roque, Tagbilaran, Southern Leyte Contact No. 0998-868-5234 Email: <a href="mailto:principal@slsu.edu.ph">principal@slsu.edu.ph</a> Website: <a href="http://www.slsu.edu.ph">www.slsu.edu.ph</a></p> <p>SECOPAC QS STAR'S RATING SYSTEM</p>	PREPARED BY : EDICARDO C. PONTOD - EIT DRAFTSMAN MARJORIE G. ELEKORDE - EIT DRAFTSMAN HAZEL G. OBORDO - EIT DRAFTSMAN MARK A. UYPALA - EIT DRAFTSMAN BYRON A. ENGASTON - EIT DRAFTSMAN	REVIEWED BY : ENGR. RYAN A. MACUTO, GREEN ADP+AA - LUDIP Head Designate AR. JEAMES PAUL EVANGELISTA, UAP - ARCHITECT I	PROJECT : RENOVATION AND RECONFIGURATION OF COMPUTER LABORATORY ROOM IN CCSIT BUILDING WITH PROVISIONS FOR SMART CLASSROOM	OWNER : SOUTHERN LEYTE STATE UNIVERSITY	APPROVED AS PER PLAN : JUDE A. DUARTE, DPA - UNIVERSITY PRESIDENT	SHEET CONTENT AS SHOWN	SHEET NO. E-02
	LOCATION: SLSU-MAIN CAMPUS, SAN ROQUE, SOGOD SOUTHERN LEYTE		ADDRESS: SOGOD, SOUTHERN LEYTE		CHECKED : APPROVED :	DRAWN : DATE :	SCALE AS SHOWN @ 20x30